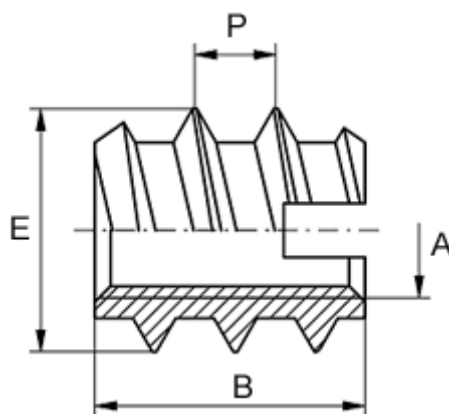


Article number: 12309000035100
Description: KLEE-coil 309 000 035.100
M3,5 Unhardened steel

Measures



Female thread A	= M3,5
Length B	= 8
Male thread E	= 7.0
Min hole depth	= 10
Recommended bore diameter (plastic/hard wood)	= 4.7 to 4.8
Recommended bore diameter, soft wood (largest)	= 5.0
Thread pitch P	= 2.0